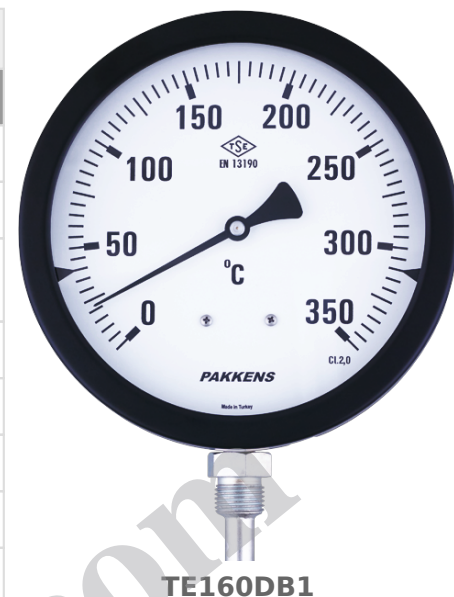


Temperature Gauges / Bi-Metal Thermometers / All-Purpose Bi-Metal Thermometers / Ø 160 mm.

CONSTRUCTIVE PROPERTIES

	STANDARD	OPTIONAL
Mounting Type	Bottom Connection	Back Connection
Scale Unit	°C	°F
Scale Range (T)	-30/+60°C 0/+60°C 0/+100°C 0/+120°C 0/+160°C 0/+300°C 0/+350°C 0/+400°C 0/+500°C	
Case	Steel (Black Enamelled)	-
Bezel	Steel (Black Enamelled)	-
Window	Glass	-
Connection	G 1/2" B	1/2" NPT
Dial	Aluminum	-
Pointer	0 - 120 °C ... 160 °C Plastic	0 - 200 °C ... 500 °C Aluminum
Bi-Metal Stem	Brass	-
Temperature Element	Bi-metal	-
Stem Ø	9 mm	-
Thermowell	Stainless Steel AISI-316	Brass
Immersion Length	100mm 150mm 200mm 250mm 300mm 400mm 500mm	700mm 1000mm

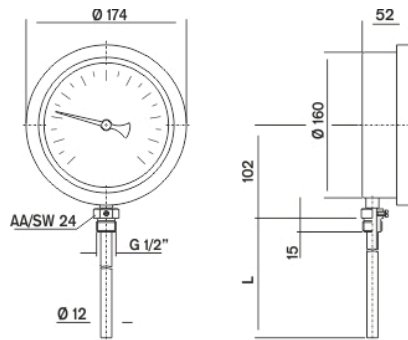


TE160DB1

USAGE PROPERTIES

Accuracy Class	CL 2.0	-
Protection Rate	IP 51	-
Storage Temperature	-40 ... +70 °C	-
Conformity	EN 13190	-
Max.Pressure	25 bar	-

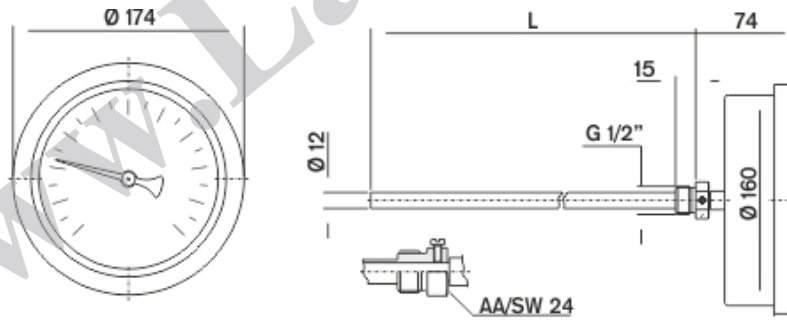
Temperature Gauges / Bi-Metal Thermometers / All-Purpose Bi-Metal Thermometers / Ø 160 mm.



- L = 100
- L = 150
- L = 200
- L = 250
- L = 300
- L = 400
- L = 500
- L = 700
- L = 1000

Model No: TE160DB1

Bottom Connection



- L = 100
- L = 150
- L = 200
- L = 250
- L = 300
- L = 400
- L = 500
- L = 700
- L = 1000

Model No: TE160DB2

Back Connection